

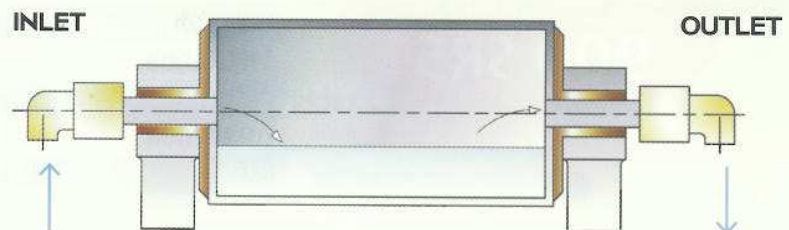
ROTARY UNIONS SINGLE FLOW

Reference 800 SR5

on page 16 and 17

Angle 1-Elbow model (radial - 90°)
Seal Faces : Ceramic/Carbon or Ceramic/Stainless Steel
Stainless steel shaft
Aluminum housing
Spring compensation
Male thread : BSP, BSPP, NPT or Metric

application example



Single Flow Ref. 800

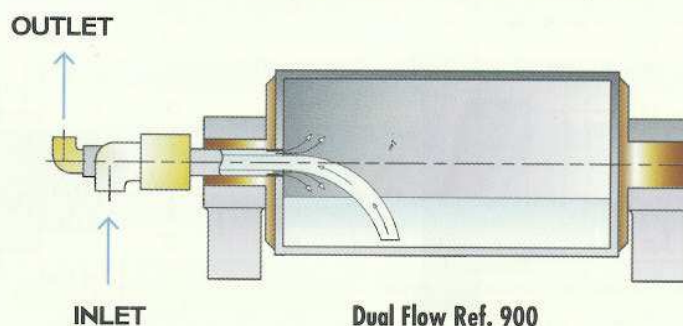
ROTARY UNIONS DUAL FLOW

Reference 900 SR5

on page 16 and 17

Dual flow model
Seal Faces : Ceramic/Carbon or Ceramic/Stainless Steel
Stainless steel shaft
Aluminum housing
Spring compensation
Male thread : BSP, BSPP, NPT or Metric

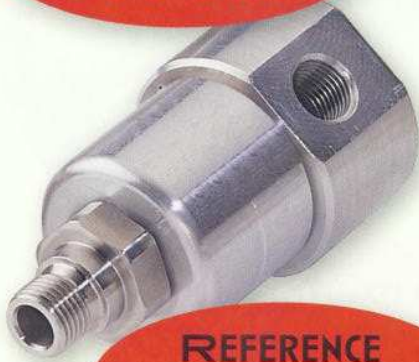
application example



Dual Flow Ref. 900

ROTARY UNIONS SINGLE FLOW

REFERENCE
800 SR5

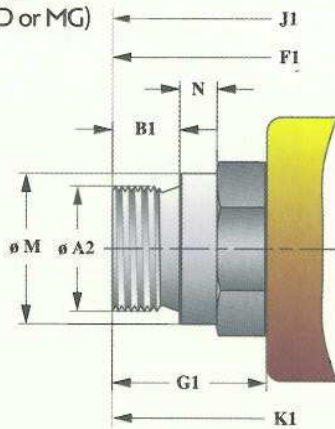


REFERENCE
900 SR5

TECHNICAL FEATURES

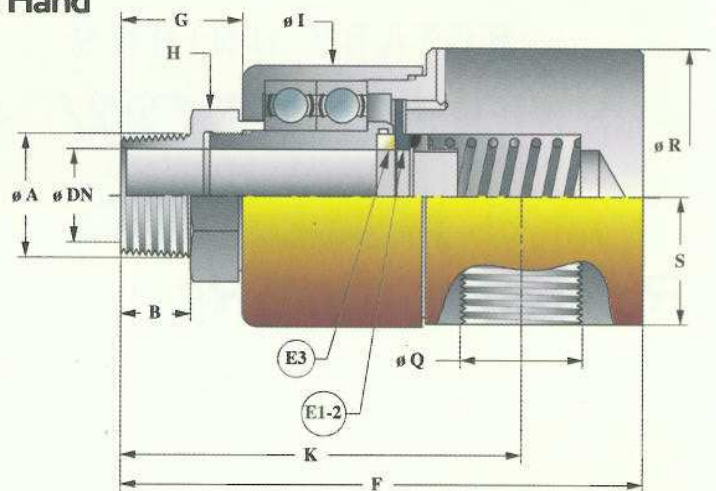
REFERENCE	800-900 SR5 (90° Model)
DIMENSIONS	800-900 SR5 1/4" to 1"
MATERIAL	Stainless steel shaft - Aluminum housing
THREAD	Connection : male RH or LH - BSP - BSPP - Metric NPT on request Thread : female right BSPP (NPT on request)
PRESSURE	Ceramic / Carbon < 30 bar (E1 standard) Ceramic / Stainless Steel > 30 bar Maximum 50 bar (E2)
TEMPERATURE	Up to 120°C / up to 160°C on request
ROTATION	0 to 5000 r.p.m. depending on the diameter and pressure
APPLICATION	Heating and cooling cylinders
OBSERVATIONS	Ball bearings for easy rotation. Full bore.
CONNECTION	With hoses
USE	Oil, air, water, gas, thermic fluids, steam (on request), etc.

Metric with
pilot (MD or MG)

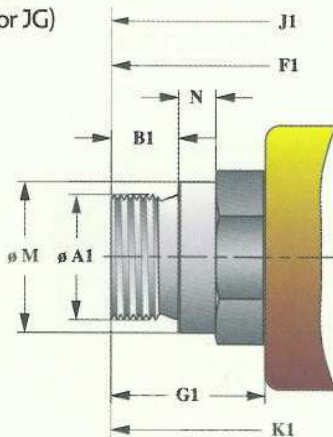


Male tapered BSP (GD or GG) Right
or Left Hand

800 SR5

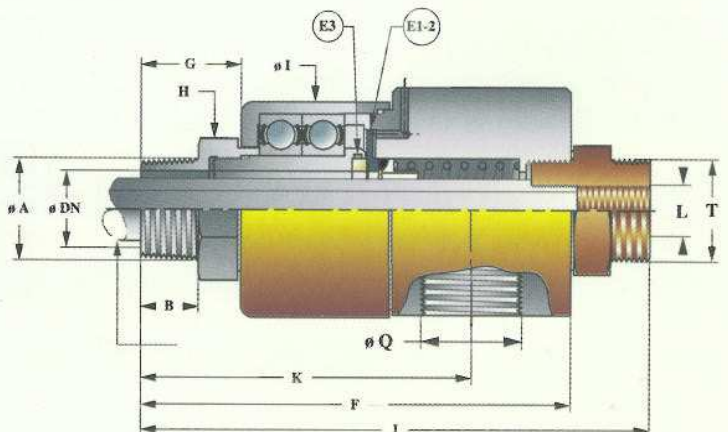


BSPP with
pilot (JD or JG)



Male tapered BSP (GD or GG) Right
or Left Hand

900 SR5



ROTARY UNIONS DUAL FLOW

TECHNICAL FEATURES

Description of the fittings

BSP Tapered

800-900 SR5 GD	Male connection right-hand
800-900 SR5 GG	Male connection left-hand

BSPP Cylindric

800-900 SR5 JD	Male connection right-hand
800-900 SR5 JG	Male connection left-hand

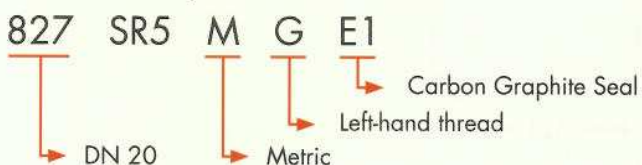
Metric

800-900 SR5 MD	Mâle Métrique à droite
800-900 SR5 MG	Mâle Métrique à gauche

NPT (on request)

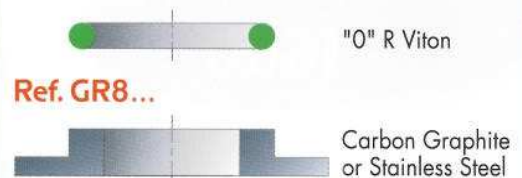
Male connection right-hand and left hand
Female connection always right-hand

Reference example

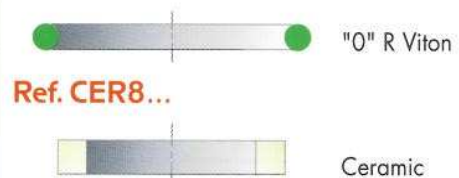


Composite Exchange Seal

Index E1 = Carbon Graphite Seal
Index E2 = Stainless Steel



Index E3 = Ceramic Seal



Rep.	Ref.	SINGLE FLOW					DUAL FLOW		
		813 SR5 { GD - GG JD - JG MD - MG	817SR5	821SR5	827SR5	834SR5	921 SR5 { GD - GG JD - JG MD - MG	927 SR5	934 SR5
A		Ø 1/4"	Ø 3/8"	Ø 1/2"	Ø 3/4"	Ø 1"	Ø 1/2"	Ø 3/4"	Ø 1"
A1		Ø 1/4"	Ø 3/8"	Ø 1/2"	Ø 3/4"	Ø 1"	Ø 1/2"	Ø 3/4"	Ø 1"
A2		M14 x 150	M 16 x 150	M22 x 150	M25 x 150	M35 x 150	M22 x 150	M25 x 150	M35 x 150
B		11	11	14	16	19	14	16	19
B1		11	11	14	16	18	14	16	18
DN		8	10	14	20	25	14	20	25
E1		GR813SR4	GR817SR4	GR821SR3	GR827SR3	GR834SR3	GR821SR3	GR827SR3	GR834SR3
E2 / Special		GR813SR4I	GR817SR4I	GR821SR3I	GR827SR3I	GR834SR3I	GR821SR3I	GR827SR3I	GR834SR3I
E3		CER813	CER817	CER821	CER827	CER834	CER821	CER827	CER834
F		80	87	106	122	142	106	122	142
F1		85	92	111	132	152	111	132	152
G		19	21	25	28	31	26	29	33
G1		24	26	30	38	41	31	39	42
H / flats		22	26	32	35	41	32	35	41
I		38	42	55	63	70	55	63	70
K		65	69	86	95	108	86	95	108
K1		70	74	91	105	118	91	105	118
M Ø g6		16	18	28	30	40	28	30	40
N		5	5	5	10	10	5	10	10
Q / BSPP		1/4" G	3/8" G	1/2" G	3/4" G	1" G	1/2" G	3/4" G	1" G
R		44	46	60	74	80	60	74	80
S		19,5	20	26	33	34	26	33	34
J							133	151	174
J1							138	161	184
L / BSPP							Ø 1/8"	Ø 1/4"	3/8"
T / BSPP							Ø 1/2"	Ø 3/4"	1"